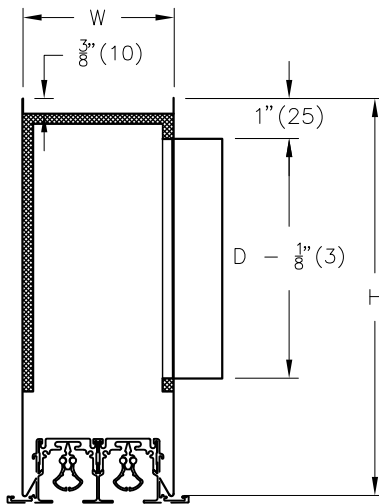
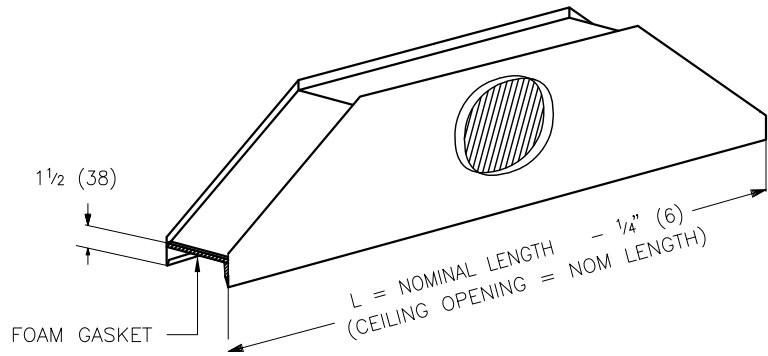


MODEL SDA
NON-INSULATED



MODEL SDAI
INSULATED



SLOTS	W		
	SDA50	SDA75	SDA100
1	2" (51)	2 1/4" (57)	2 1/2" (64)
2	3 1/4" (83)	3 3/4" (95)	4 1/4" (108)
3	4 1/2" (114)	5 1/4" (133)	6" (152)
4	5 3/4" (146)	6 3/4" (171)	7 3/4" (197)

NOMINAL LENGTH:

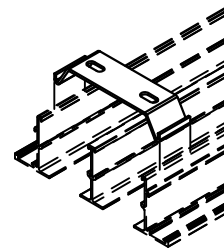
- 36" (914)
- 48" (1219)
- 60" (1524)

MODELS:

- SDA(I)50 - TO FIT SDS50 / SDR50
- SDA(I)75 - TO FIT SDS75 / SDR75
- SDA(I)100 - TO FIT SDS100 / SDR100

NOTES:

- ASSOCIATED SDS DIFFUSERS MUST BE SPECIFIED AND ORDERED AS SEPARATE ITEMS.
- USE WITH SURFACE MOUNT TYPE SDS / SDR
- INSTALL UNIT DURING DRYWALL CEILING CONSTRUCTION UNLESS ACCESS IS PROVIDED FOR POST-INSTALLATION
- FOR CONCEALED MOUNTING INSTALLATION SEE i00042
- FACTORY TOLERANCE ± 1/32" (1)
- OPTION CMBI - INNER CONCEALED MOUNTING BRACKET FOR APPLICATIONS WHERE INTEGRAL MOUNTING BRACKET IN SDS CANNOT BE USED



FINISH:

- MILL FINISH

MATERIAL:

- COATED STEEL

INSULATION OPTIONS (MODEL SDAI):

- CF - INTERNAL COATED FIBERGLASS INSULATION
- FF - INTERNAL FIBER FREE FOAM INSULATION

ALL METRIC DIMENSIONS () ARE SOFT CONVERTED. IMPERIAL DIMENSIONS ARE CONVERTED TO METRIC AND ROUNDED TO THE NEAREST MILLIMETER.

PROJECT:		PRICE®	
ENGINEER:			
CUSTOMER:		235054	
SUBMITTAL DATE:	SPEC. SYMBOL:	2016/08/18	

MODEL	LENGTH	SLOTS	H	D						
				4"	5"	6"	7"	8"	10"	
SDA50	36"	1	7 1/4" (184)	•						
		2	8 1/4" (210)		•					
		3	9 1/4" (234)			•				
		4	10 1/4" (260)				•			
	48"	1	8 1/4" (210)		•					
		2	9 1/4" (234)			•				
		3	10 1/4" (260)				•			
		4	11 1/4" (286)					•		
	60"	1	8 1/4" (210)		•					
		2	10 1/4" (260)				•			
		3	11 1/4" (286)					•		
		4	13 1/4" (336)						•	
SDA75	36"	1	7 1/4" (184)	•						
		2	9 1/4" (234)			•				
		3	10 1/4" (260)				•			
		4	11 1/4" (286)					•		
	48"	1	8 1/4" (210)		•					
		2	10 1/4" (260)				•			
		3	11 1/4" (286)					•		
		4	13 1/4" (337)						•	
	60"	1	9 1/4" (234)			•				
		2	11 1/4" (286)					•		
		3	13 1/4" (337)						•	
		4	13 1/4" (337)							•
SDA100	36"	1	8 1/4" (210)		•					
		2	9 1/4" (234)			•				
		3	11 1/4" (286)					•		
		4	11 1/4" (286)						•	
	48"	1	8 1/4" (210)		•					
		2	10 1/4" (260)				•			
			11 1/4" (286)					•		
		3	13 1/4" (337)						•	
	60"	4	13 1/4" (337)							•
		1	9 1/4" (234)			•				
		2	11 1/4" (286)					•		
		3	13 1/4" (337)						•	
	4	11 1/4" (286)					•			
		13 1/4" (337)						•		

• = AVAILABLE ROUND INLET

ALL METRIC DIMENSIONS () ARE SOFT CONVERTED. IMPERIAL DIMENSIONS ARE CONVERTED TO METRIC AND ROUNDED TO THE NEAREST MILLIMETER.

PROJECT:		PRICE[®]	
ENGINEER:		<i>MJ</i>	SDA, SDAI TYPE 2 DIFFUSER INLET ASSEMBLY
CUSTOMER:		235054	
SUBMITTAL DATE:	SPEC. SYMBOL:	2016/08/18	